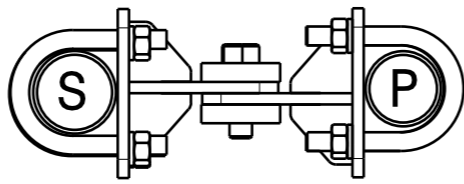
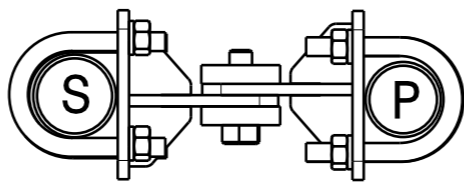


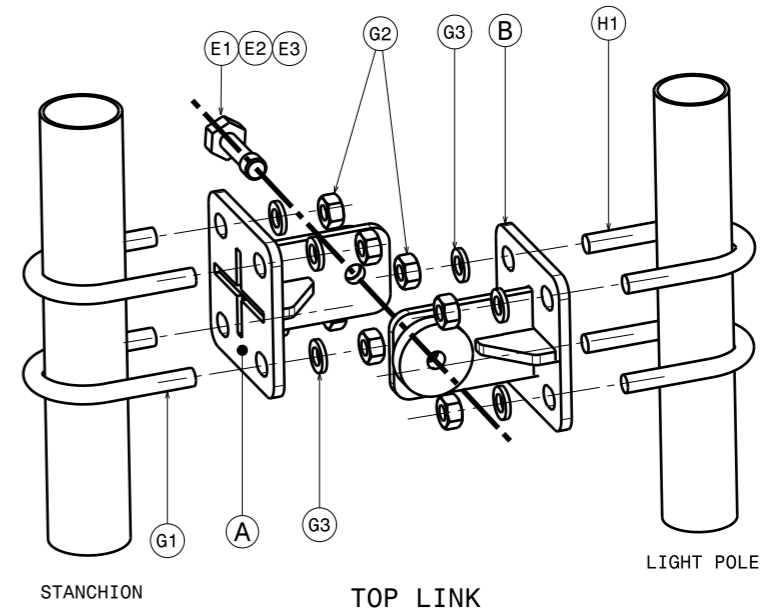
TOP STANCHION LINK ORIENTATION TO DETERMINE POLE ROTATION.



THIS ORIENTATION ALLOWS POLE TO LAY TO THE RIGHT.



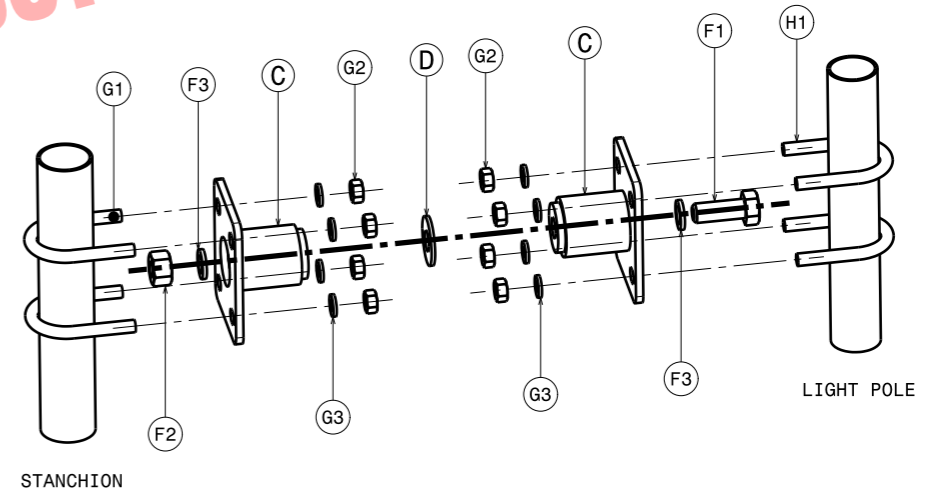
THIS ORIENTATION ALLOWS POLE TO LAY TO THE LEFT.



STANCHION

TOP LINK

LIGHT POLE



STANCHION

LOWER PIVOT

LIGHT POLE

LIGHT MOUNTING SYSTEMS AUSTRALIA
SAMPLE DRAWING

NOTES:

1. ALL DIMENSIONS ARE IN MILLIMETRES.
2. LIGHT POLE IS DESIGNED IN ACCORDANCE WITH WIND LOADING CODE AS1170.2 - 2011.
3. THE CLIENT SHALL PROVIDE A SUITABLE SUPPORT THAT IS STRUCTURALLY ADEQUATE FOR MOUNTING THE LMS EQUIPMENT.
4. LUMINAIRE MAXIMUM MASS IS 12KG AND MAXIMUM SIZE IS 400 x 400 x 400MM.
5. *RECOMMENDED MAXIMUM INSTALLED EQUIPMENT WEIGHT REFERS TO RECOMMENDED LIMITS FOR EASE OF OPERATION, NOT THE ITEMS STRUCTURAL/ENGINEERED CAPACITY, AND INCLUDES AND EQUIPMENT AND ASSOCIATED MOUNTING BRACKET.

ITEM	QTY	DESCRIPTION	MATERIAL
ITEM H1	4	U-BOLT	32NB
ITEM G3	16	M10 WASHER	
ITEM G2	16	M10 NUT	
ITEM G1	4	U-BOLT	40NB
ITEM F3	2	M16 FLAT WASHERS	
ITEM F2	1	M16 NYLOC NUT	
ITEM F1	1	M16 x 40LG HEX HEAD SET SCREW	
ITEM E3	1	M12 FLAT WASHER	
ITEM E2	1	M12 SPRING WASHER	
ITEM E1	1	M12 SECURE BOLT	
ITEM D	1	POLYETHYLENE WASHER	
ITEM C	2	LOWER PIVOT	
ITEM B	1	TOP LINK (LIGHT POLE)	
ITEM A	1	TOP LINK (STANCHION)	



This drawing cannot be reproduced or communicated without the written consent of the manufacturer.		LIGHT MOUNTING SYSTEMS AUSTRALIA P.O. BOX 73, LORN, N.S.W., 2320 P: 02 4932 9000 F: 02 4932 9009	
DRAWN BY D.R.	DATE 21/5/2012	DRAWING TITLE 40 NB MONOWILLS HANDRAIL MOUNTING - DETAILS SUITABLE FOR WINDLOAD REGIONS A,B,C & D	
CHECKED BY M.L.	DATE 21/5/2012	SIZE A1	DRAWING NUMBER LMS-113
DESIGNED BY M.L.	DATE 21/5/2012	SCALE Var	WEIGHT(kg)
		SHEET 1/2	