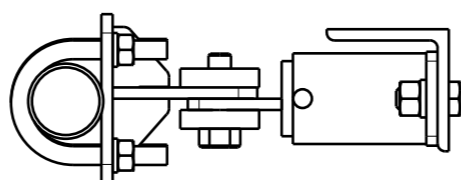
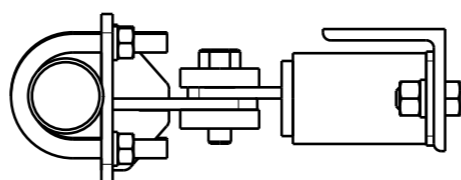


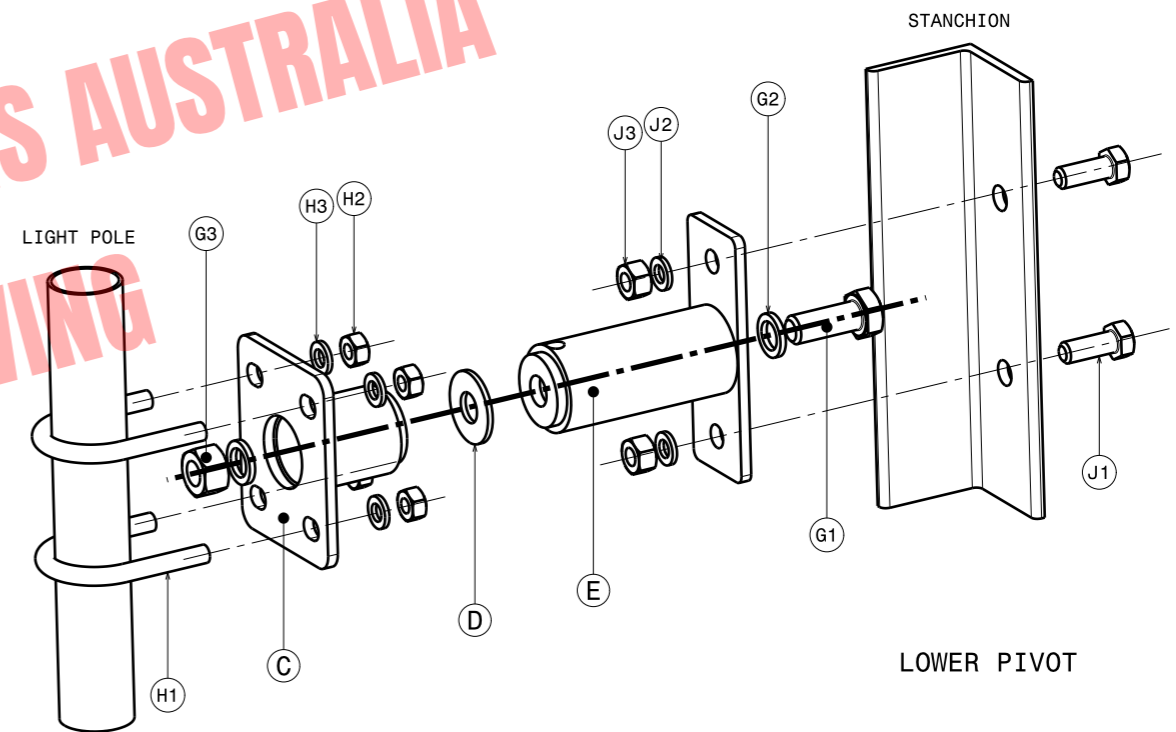
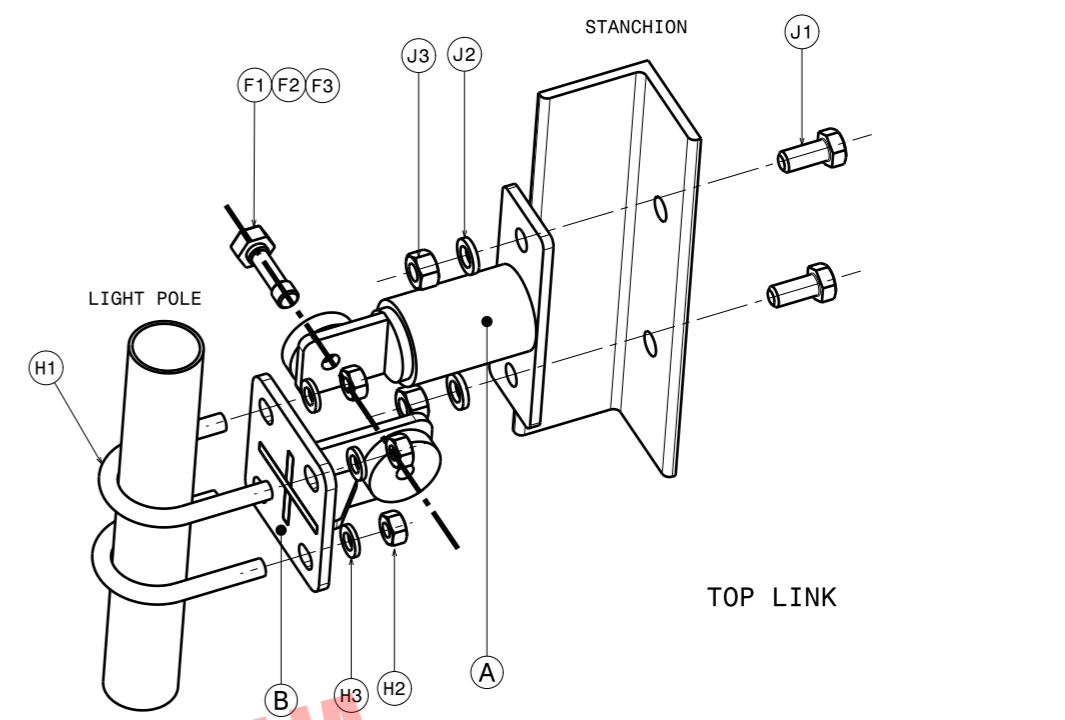
TOP STANCHION LINK ORIENTATION TO DETERMINE POLE ROTATION.



THIS ORIENTATION ALLOWS POLE TO LAY TO THE RIGHT.



THIS ORIENTATION ALLOWS POLE TO LAY TO THE LEFT.



LIGHT MOUNTING SYSTEMS AUSTRALIA
SAMPLE DRAWING

NOTES:

1. ALL DIMENSIONS ARE IN MILLIMETRES.
2. LIGHT POLE IS DESIGNED IN ACCORDANCE WITH WIND LOADING CODE AS1170.2 - 2011.
3. THE CLIENT SHALL PROVIDE A SUITABLE SUPPORT THAT IS STRUCTURALLY ADEQUATE FOR MOUNTING THE LMS EQUIPMENT.
4. LUMINAIRE MAXIMUM MASS IS 12KG AND MAXIMUM SIZE IS 400 x 400 x 400MM.
5. *RECOMMENDED MAXIMUM INSTALLED EQUIPMENT WEIGHT REFERS TO RECOMMENDED LIMITS FOR EASE OF OPERATION, NOT THE ITEMS STRUCTURAL/ENGINEERED CAPACITY, AND INCLUDES AND EQUIPMENT AND ASSOCIATED MOUNTING BRACKET.

PART No	QTY	DESCRIPTION	MATERIAL
ITEM J3	4	NUT	CLIENT SUPPLY
ITEM J2	4	WASHER	CLIENT SUPPLY
ITEM J1	4	SETSCREW	CLIENT SUPPLY
ITEM H3	8	M10 WASHER	
ITEM H2	8	M10 NUT	
ITEM H1	4	U-BOLT	32NB
ITEM G3	1	M16 NYLOC NUT	
ITEM G2	2	M16 FLAT WASHER	
ITEM G1	1	M16 x 40LG HEX HEAD SET SCREW	
ITEM F3	1	M12 FLAT WASHER	
ITEM F2	1	M12 SPRING WASHER	
ITEM F1	1	M12 SECURE BOLT	
ITEM E	1	LOWER PIVOT (STANCHION)	
ITEM D	1	POLYETHYLENE WASHER	
ITEM C	1	LOWER PIVOT (LIGHT POLE)	
ITEM B	1	TOP LINK (LIGHT POLE)	
ITEM A	1	TOP LINK (STANCHION)	

This drawing cannot be reproduced or communicated without the written consent of the manufacturer.		LIGHT MOUNTING SYSTEMS AUSTRALIA P.O. BOX 73, LORN, N.S.W., 2320 P: 02 4932 9000 F: 02 4932 9009	
DRAWN BY D.R.		DATE 20/03/2011	
CHECKED BY M.L.		DATE 20/03/2011	
DESIGNED BY M.L.		DATE 20/03/2011	
DRAWING TITLE ANGLE HANDRAIL - MOUNTING DETAILS SUITABLE FOR WINDLOAD REGIONS A,B,C & D		DRAWING NUMBER LMS-112	
SCALE Var		WEIGHT(kg) XXX	
SHEET 1/2		REV 4	

