

LMS080 - WINCH TRACK SYSTEM

The LMS080 - Winch Track system enables lighting and equipment to be installed and raised to heights of either 4.0m or 6.3m (approx).

SPECIFICATIONS

Mount Wall or Support Structure (Bolt to Structure)

Track Raise equipment to a height of 4.00m or 6.3m (approx) when installed with winch 1.2m above floor level. 6.3m requires additional track section

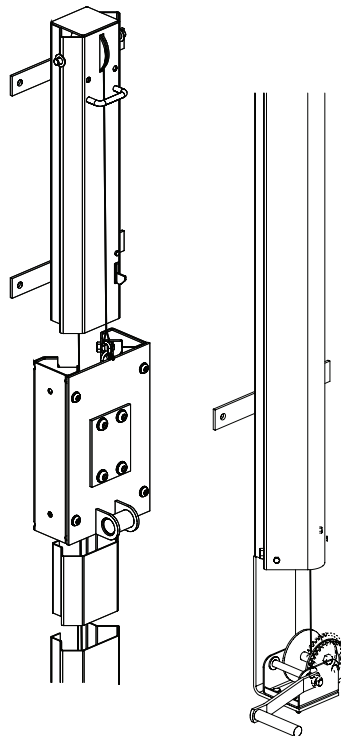
Max Weight Recommended maximum installed light fitting weight 25kg*

Available HDG – Hot Dipped Galvanised (LMS080)
316 Stainless Steel (LMS080-SS)

Recommended maximum installed equipment weight refers to recommended limits for ease of operation, not the items structural/engineered capacity and includes any equipment and associated mounting bracket.

FEATURES & BENEFITS

- Simple one person operation
- Extra track sections to enable equipment to be raised to heights of 6.3m approximately
- Eliminates the use of specialised access equipment for lighting maintenance
- Eliminates the hazards of working at heights



LIGHT MOUNTING SYSTEMS AUSTRALIA

Australian Made Lighting Poles & Accessories for accessible Lighting Installations & Maintenance

www.lightmountingsystems.com.au sales@lmsau.com 61 2 4932 9000