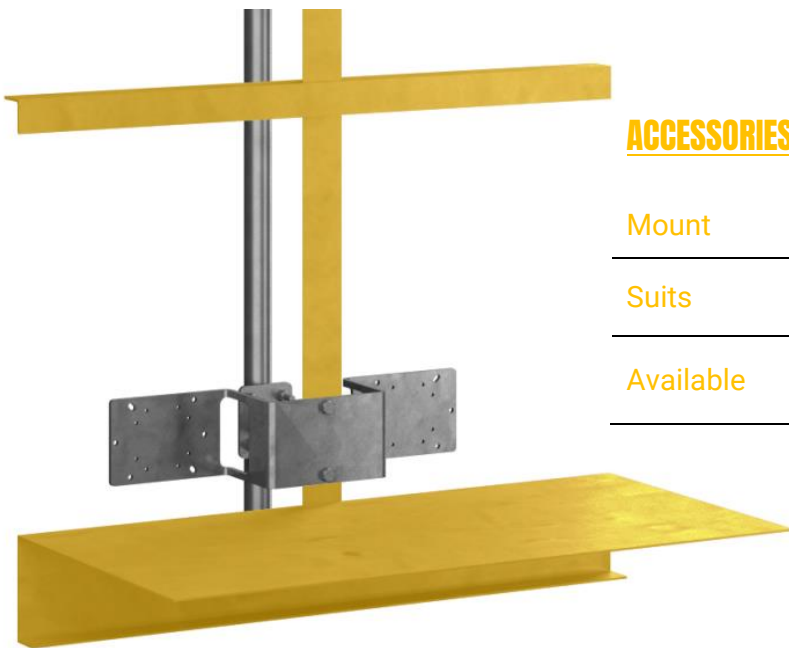


JB-07-AIM - ANGLE IRON STANCHION MOUNT



ACCESSORIES - JB-07-AIM (DOUBLE)

Mount Bolt to 65 x 65 Angle Handrail Stanchion

Suits Clipsal 56JB1, CCG100201, CCG100301, CCG102101

Available HDG – Hot Dipped Galvanised (JB-07-AIM)
316 Stainless Steel (JB-07-AIM-SS)

Plates shown in conjunction with LMS112 for typical installation representation



LIGHT MOUNTING SYSTEMS AUSTRALIA

Australian Made Lighting Poles & Accessories for accessible Lighting Installations & Maintenance

www.lightmountingsystems.com.au sales@lmsau.com 61 2 4932 9000